

Introduction

The 8-port GPIB strip has eight parallel GPIB connectors, which simplify GPIB cable routing and make instrumentation changes easy. This installation guide lists the contents of your kit and contains instructions for using mounting brackets to install the 8-port GPIB strip in an instrument rack or on a flat surface.

What Your Kit Should Contain

Your 8-port GPIB strip kit should contain the following components:

Kit Component	Part Number
8-port GPIB strip	181955-01
2 small mounting brackets	181958-01
2 large mounting brackets	181958-02
4 large 10-32 screws	741801-01
<i>8-Port GPIB Strip Installation Guide</i>	320579-01

If your kit is missing any of the components, contact National Instruments.

Mounting Bracket Installation

Complete the following steps to assemble and install your 8-port GPIB strip.

1. Remove the two 6-32 screws and washers from each side of the 8-port GPIB strip.
2. Select either the small or large mounting brackets and align the screw holes of the mounting bracket with the holes on the side of the GPIB strip as shown in Figure 1 and Figure 2.

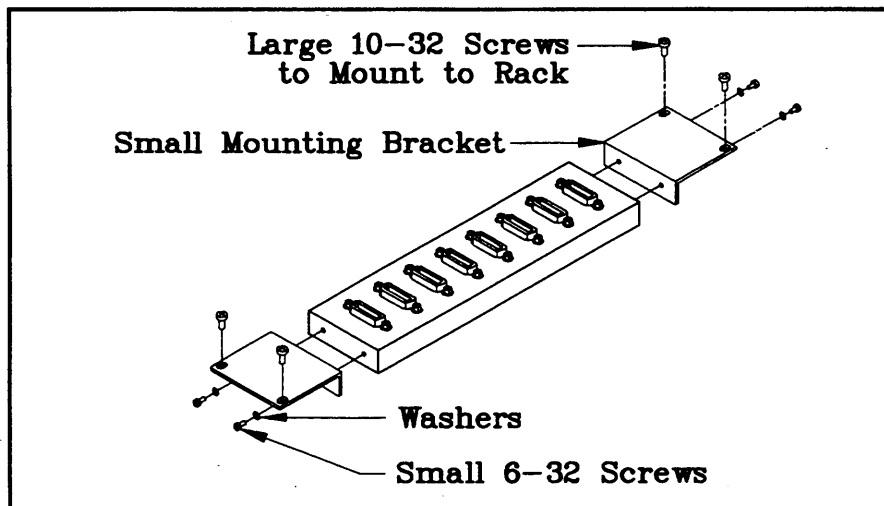


Figure 1. 8-Port GPIB Strip with Small Brackets

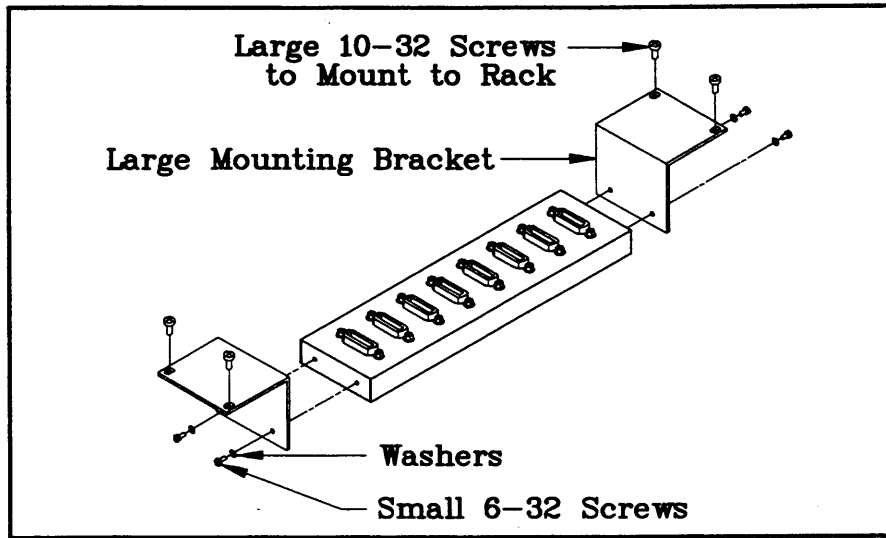


Figure 2. 8-Port GPIB Strip with Large Brackets

3. Replace the washers and 6-32 screws and tighten until secure.
4. Mount the unit in your instrument rack and secure with the four large 10-32 screws.

If you want to mount your 8-port GPIB strip on a flat surface, install the brackets so that the flat extension is flush with the bottom of the strip as shown in Figure 3.

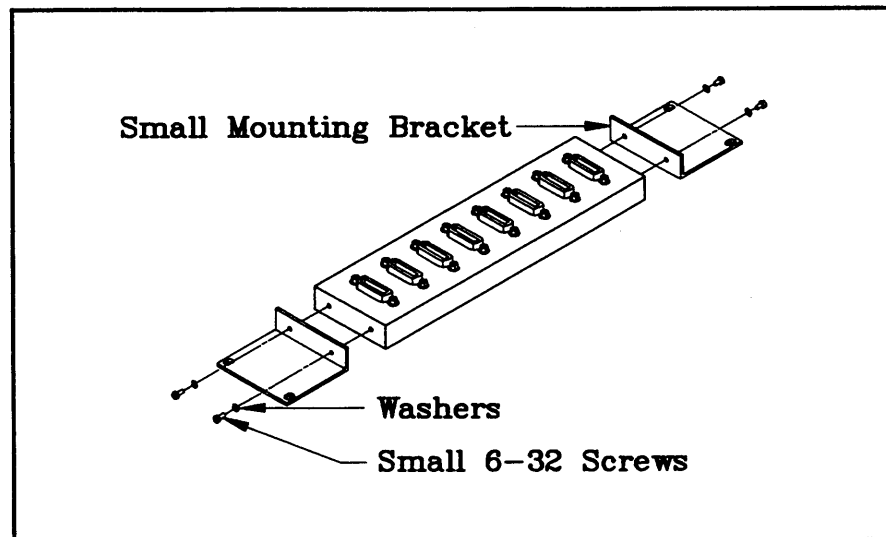


Figure 3. 8-Port GPIB Strip with Inverted Brackets for Mounting on a Flat Surface